

Chip Inductors



Model PM1008 Series is currently available, although not recommended for new designs. Model CW252016 is preferred.

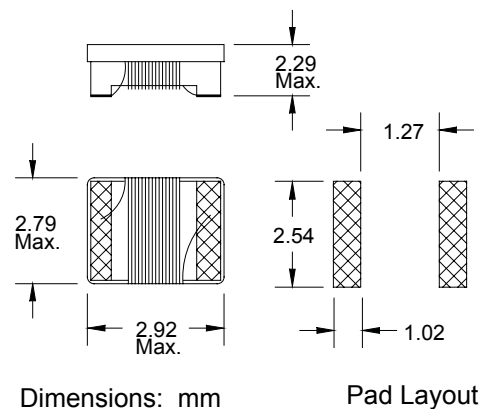
Special Features

- Ceramic core
- Wirewound for superior reliability
- High self-resonant frequency
- Very stable electrical characteristic on ceramic core
- Flat top surface for automated pick & place
- Operating temperature -55 to +125 °C
- Tape & reel packaged 2000/reel

Notes

- * Current to cause 15 °C max. temperature rise

† RoHS Directive 2002/95/EC Jan 27 2003 including Annex.



PM1008 Series								
Part Number	L (nH) ±20 %	L Test Freq. (MHz)	Q Min.	Q Test Freq. (MHz)	SRF (MHz) Min.	DCR (Ω) Max.	I, DC* (mA)	Bourns Equivalent
PM1008-10NM-RC	10	50	50	500	4100	0.08	1000	
PM1008-12NM-RC	12	50	50	500	3300	0.09	1000	
PM1008-15NM-RC	15	50	50	500	2500	0.10	1000	
PM1008-18NM-RC	18	50	50	350	2500	0.11	1000	
PM1008-22NM-RC	22	50	55	350	2400	0.12	1000	
PM1008-27NM-RC	27	50	55	350	1600	0.13	1000	
PM1008-33NM-RC	33	50	60	350	1600	0.14	1000	
PM1008-39NM-RC	39	50	60	350	1500	0.15	1000	
PM1008-47NM-RC	47	50	65	350	1500	0.16	1000	
	±10 %							
PM1008-56NK-RC	56	50	65	350	1300	0.18	1000	
PM1008-68NK-RC	68	50	65	350	1300	0.20	1000	
PM1008-82NK-RC	82	50	60	350	1000	0.22	1000	
	(μH)							
	±10 %							
PM1008-R10K-RC	0.10	25	60	350	1000	0.56	650	
PM1008-R12K-RC	0.12	25	60	350	950	0.68	650	
PM1008-R15K-RC	0.15	25	45	100	850	0.70	580	
PM1008-R18K-RC	0.18	25	45	100	750	0.77	620	
PM1008-R22K-RC	0.22	25	45	100	700	0.84	500	
PM1008-R27K-RC	0.27	25	45	100	600	0.91	500	
PM1008-R33K-RC	0.33	25	45	100	570	1.05	450	
PM1008-R39K-RC	0.39	25	45	100	500	1.12	470	
PM1008-R47K-RC	0.47	25	45	100	450	1.19	470	
PM1008-R56K-RC	0.56	25	45	100	415	1.33	400	
PM1008-R68K-RC	0.68	25	45	100	375	1.47	400	
PM1008-R82K-RC	0.82	25	45	100	350	1.61	400	
PM1008-1R0K-RC	1.0	25	35	50	290	1.75	370	
PM1008-1R2K-RC	1.2	7.9	35	50	250	2.00	340	
PM1008-1R5K-RC	1.5	7.9	28	50	200	2.30	330	
PM1008-1R8K-RC	1.8	7.9	28	50	160	2.60	300	
PM1008-2R2K-RC	2.2	7.9	28	50	160	2.80	290	
PM1008-2R7K-RC	2.7	7.9	22	25	140	3.20	290	
PM1008-3R3K-RC	3.3	7.9	22	25	110	3.40	290	
PM1008-3R9K-RC	3.9	7.9	20	25	100	3.60	260	
PM1008-4R7K-RC	4.7	7.9	20	25	90	4.00	260	
PM1008-5R6K-RC	5.6	7.9	20	25	55	7.00	200	
PM1008-6R8K-RC	6.8	7.9	20	25	45	8.00	180	
PM1008-8R2K-RC	8.2	7.9	20	25	35	9.50	150	
PM1008-100K-RC	10	7.9	20	25	25	12.0	100	

CW252016

“-RC” suffix indicates RoHS compliance.